

# Electronic Federal Aviation Administration Accelerated and Simplified Tasks Master Ordering Agreement (FAA eFAST MOA) – DTFAWA10A-00107



In order to support its operations for 2010 and beyond, the FAA will require a broad range of comprehensive professional and support services. The eFAST MOA provides a flexible acquisition vehicle for the procurement of professional and support services. eFAST allows long term procurements for an expanded array of professional and support services to better serve the requirements of the FAA, and on a limited basis and when in the best interest of the Government, all other federal government agencies, nationwide, in an expedited efficient and effective manner. The MOA will be FAA's preferred small business contracting vehicle for services. This is the first generation of the eFAST program.

## Valador Services

This MOA provides FAA organizations with rapid access to the following types of services from Valador:

### Research and Development

- Computer Science
- Statistics
- Theoretical Modeling
- Operations Research

### Engineering Services

- Systems Engineering
- System Analysis
- System Security
- Software Engineering
- Configuration Management
- Quality Assurance
- Test
- Aeronautics
- Aerospace
- Astrophysics
- Combustion
- Communications
- Nuclear
- Operations Research
- Developing Training Manuals
- Air Traffic Operations Analysis/Design/Development
- Air Traffic Safety System Analysis/Design/Development
- Air Traffic Safety System Training
- Air Traffic Management Training
- Training

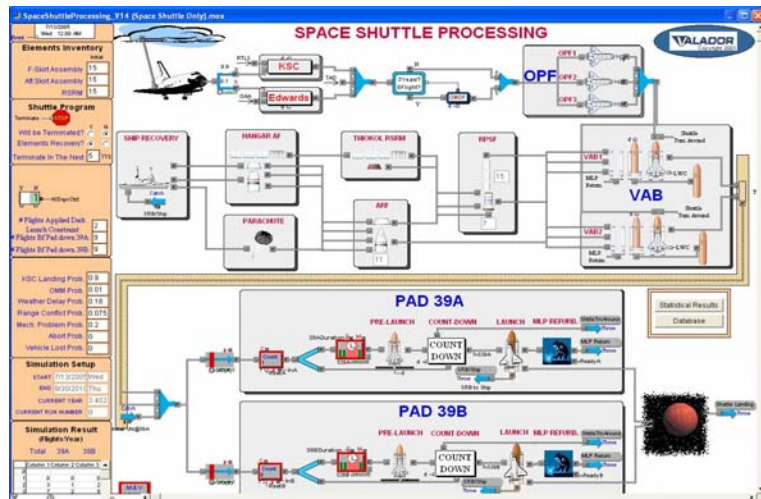


Figure 1, Valador developed a Shuttle process model as part of our Research and Development efforts.

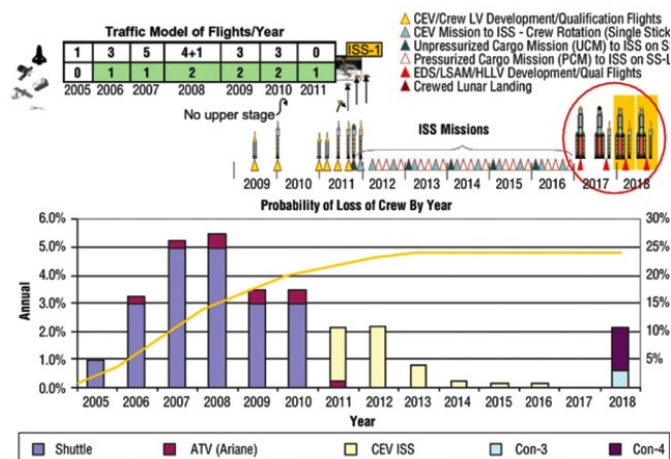


Figure 2, Valador develops risk and reliability models for several NASA programs.

Kevin Mable  
eFAST Program Manager  
Valador, Inc.  
Phone 703.435.9155  
Fax 703.435.9655  
Email : eFAST@valador.com



### Computer System Development

- Information Analysis/Business Intelligence
- Database Analysis/ Design/Development
- Computer Program Analysis/Design/ Development
- Computer System Analysis/Design/ Development
- Web Site Analysis/Design/ Development
- Graphic Design
- Computer System Server Analysis/Design/Test
- Developing Training Manuals
- Training
- Information Assurance Analysis/Test
- Enterprise Architecture
- Information Systems Architecture
- Network Analysis/Design/Test
- Computer System Quality Assurance
- Software Engineering

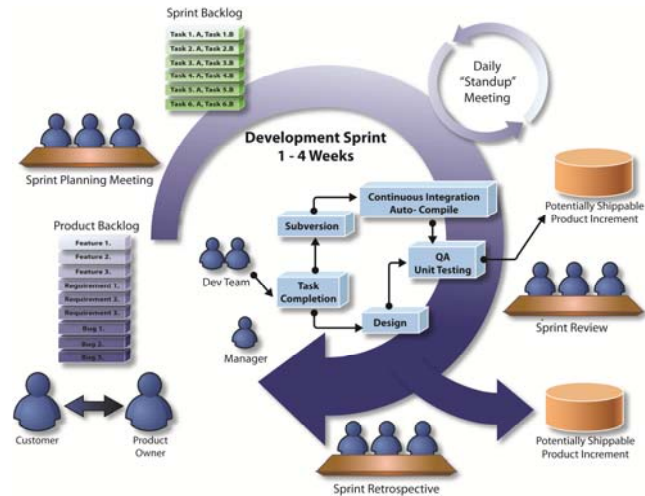


Figure 3, Valador uses AGILE Scrum Approach for our Software Development Projects.

### Computer System Support

- Database Administration
- Computer Program Maintenance
- Computer Maintenance
- Server Maintenance/Operations
- Network Maintenance/Operations
- Web Site Maintenance
- Help Desk
- Telecommunication Services
- Information Assurance Analysis/Test
- Computer System Quality Assurance
- Software Engineering



Figure 4, Valador maintains secure servers for several Government customers in our temperature controlled server room.

### Documentation & Training

- Documentation and training support including Analyze/Prepare/Edit Technical Documentation
- Analyze/Prepare/Edit Business Documentation, Analyze/Prepare/Edit/Deliver Training
- Analyze/Prepare/Edit/Deliver Computer Based Training

### About Valador

Valador, Inc. is an award winning, Verified Service-Disabled Veteran-Owned Small Business providing responsive, quality support to federal departments and agencies. Valador is an information architect whose mission is to protect and develop our nation's technological, strategic, and military assets. We deliver solutions for the strategic planning, engineering, development, and management of highly complex information architectures, specializing in:

- Modeling and Simulation
- IT Products and Services
- Information Assurance
- Management Consulting
- Software Engineering



Enterprising  
Veteran Award



ISO20000  
ITMS 549749

Valador ensures quality customer support by aggressive corporate investment in development of tools and infrastructure for projects support. Over the past two years, we have invested more than \$1 million in these capabilities.

NAICS Codes: 541330, 541511, 541512, 541513, 541519, 541712, 541611, 611512

Contact us for more information



560 Herndon Parkway, Suite #300  
Herndon, VA 20170  
703.435.9155

[eFAST@valador.com](mailto:eFAST@valador.com)